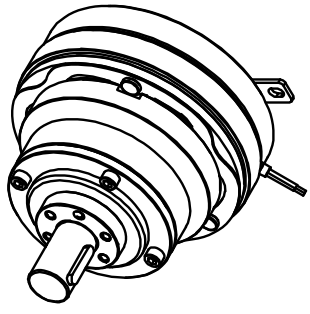
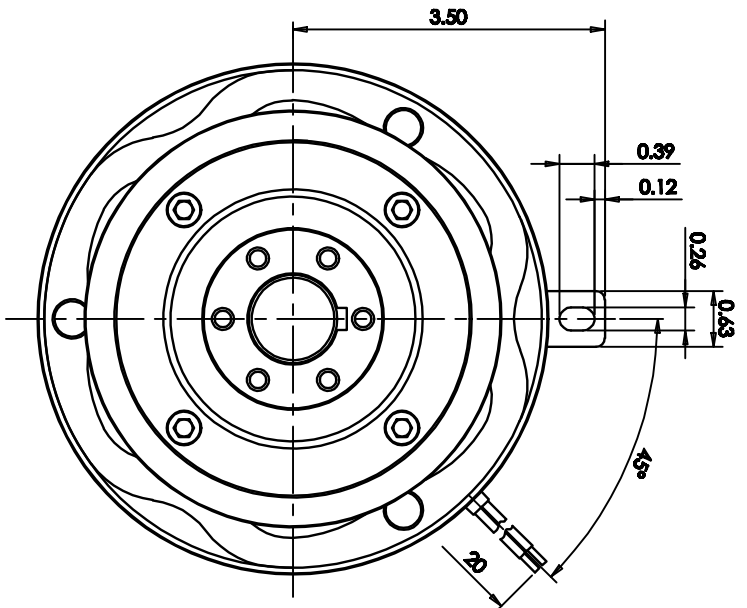
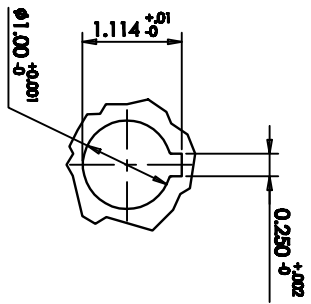


BORE/KEYWAY
DETAIL



RATED TORQUE: 1100 LB-IN
RATED VOLTAGE: 12VDC
RATED POWER: 32 WATTS

REV.	DESCRIPTION	DATE

	FINISH	DRAWN	CIS	4-10-09
	NEW TORQUE, INC. 1-800-898-8225	CHECKED	SCALE	UNITS
CLUTCH-SHAFT MOUNTED MODEL: SC-60HT-06	1:1	INCH	MATERIAL	DWG NO. 1666